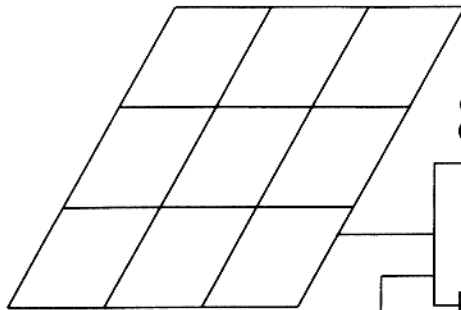




DIRECT CURRENT ARRESTOR

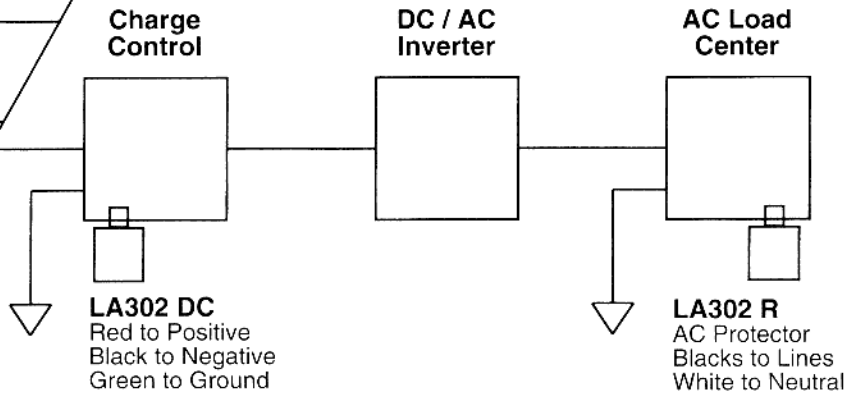
SILICON OXIDE ARRESTOR FOR PHOTOVOLTAIC AND OTHER LIMITED CURRENT DC APPLICATIONS

Collector



Max Voltage 500 V
To Ground 250 V

INSTALLATION



SPECIFICATIONS

Type of design	Silicon Oxide Varistor
Maximum current	60,000 amps
Maximum energy	2,000 joules per line
Maximum number of surges	Unlimited
Response time one milliamp test	5 nanoseconds
Response time to clamp 10,000 amps	10 nanoseconds
Response time to clamp 50,000 amps	25 nanoseconds
Leak current at double the rated voltage	none
Leads	3 18" #12 THHN
Case material	PVC
Locknut and Washer furnished	



LA302 DC
LA302 R

Weatherproof Enclosure
DIMENSIONS: 2-1/4" High
2-1/4" Diameter

Conduction Characteristics

8 X 20 microsecond wave shape
ANSI IEEE NEMA STANDARD C62.1

Discharge Current	5000 A	10000 A	20000 A	40000 A	60000 A
Clamping Voltage	240 V	480 V	840 V	1300 V	2000 V

DELTA LIGHTNING ARRESTORS™

P. O. BOX 750
BIG SPRING, TEXAS 79721