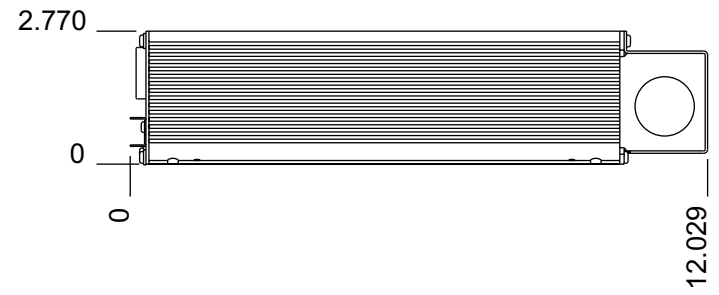
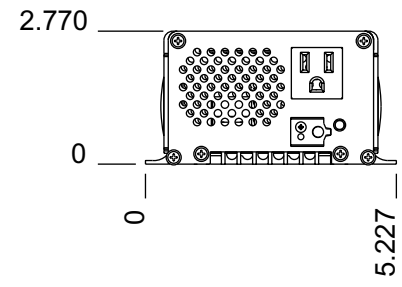
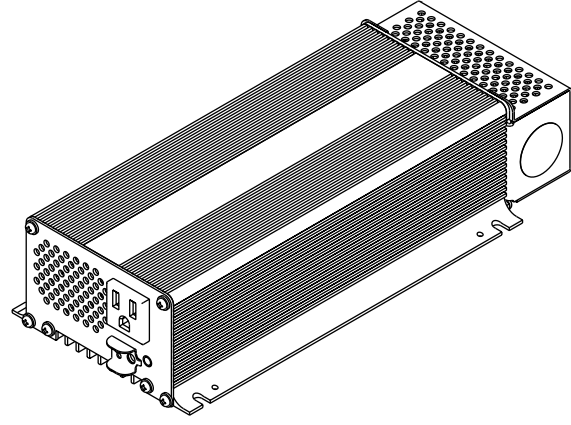
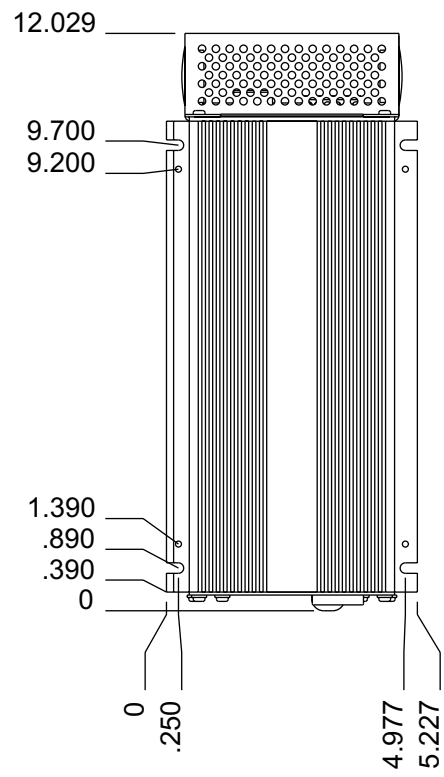


THE INFORMATION CONTAINED IN THIS DRAWING IS THE SOLE PROPERTY OF EXELTECH ANY REPRODUCTION IN PART OR WHOLE WITHOUT THE WRITTEN PERMISSION OF EXELTECH IS PROHIBITED. SUBJECT TO CHANGE W/O NOTICE.

REV	DESCRIPTION	DATE



HOLES	DESCRIPTION	QTY.	FOR PARTS LIST SEE D.B.A. B.O.M. LISTING			
			UNLESS OTHERWISE SPECIFIED DIMENSIONS ARE IN INCHES TOLERANCES ARE: DECIMALS: XXX +/- .010 XX +/- .020 FRACTIONS: +/- 1/32 ANGLES: +/- 1	CAD GENERATED DRAWING DO NOT MANUALLY UPDATE		EXELTECH XP 250W
				APPROVALS	DATE	
			DRAWN	MC 02/20/02		
			CHECKED			
			MATERIAL	RESP ENG		
			FINISH	MFG ENG		
			DO NOT SCALE DRAWING	QUAL ENG		
						SIZE DWG. NO. A
						SCALE CAD FILE: SHEET OF 1