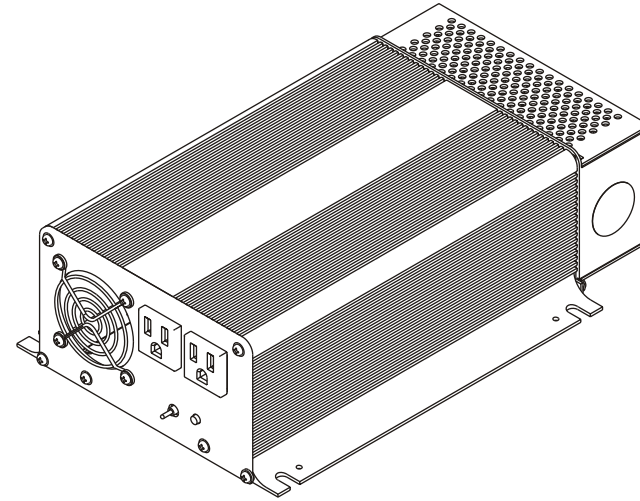
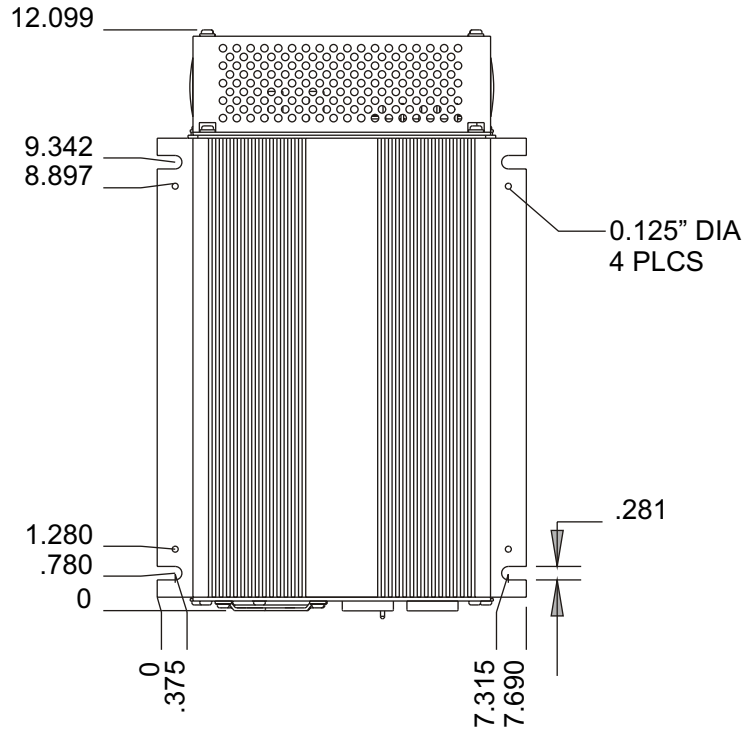


THE INFORMATION CONTAINED IN THIS DRAWING IS THE SOLE PROPERTY OF EXELTECH ANY REPRODUCTION IN PART OR WHOLE WITHOUT THE WRITTEN PERMISSION OF EXELTECH IS PROHIBITED. SUBJECT TO CHANGE W/O NOTICE.

REV.	DESCRIPTION	DATE

D



D

C

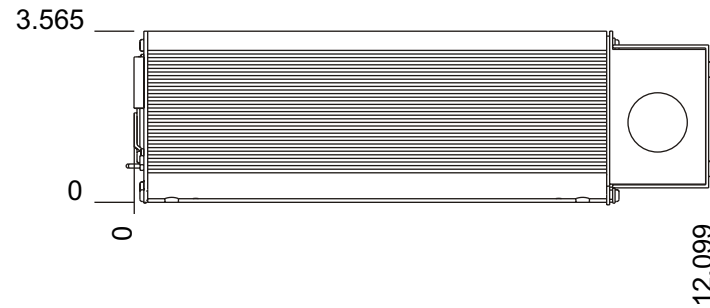
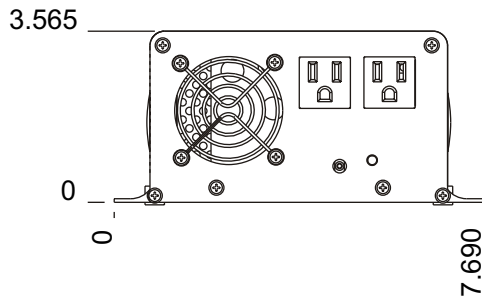
C

B

B

A

A



HOLES	DESCRIPTION	QTY.	FOR PARTS LIST SEE D.B.A. B.O.M. LISTING				
			UNLESS OTHERWISE SPECIFIED DIMENSIONS ARE IN INCHES TOLERANCES ARE: FRACTIONS DECIMALS ANGLES +1/32 .XX+/- .020 .XXX+/- .010	CAD GENERATED DRAWING DO NOT MANUALLY UPDATE		EXELTECH XP 600W	
				APPROVALS	DATE		
			DRAWN	MC	1/17/01		
			CHECKED				
			MATERIAL	RESP ENG		SIZE	DWG. NO.
			FINISH	MFG ENG		A	
			DO NOT SCALE DRAWING	QUAL ENG		SCALE	CAD FILE:
							SHEET OF