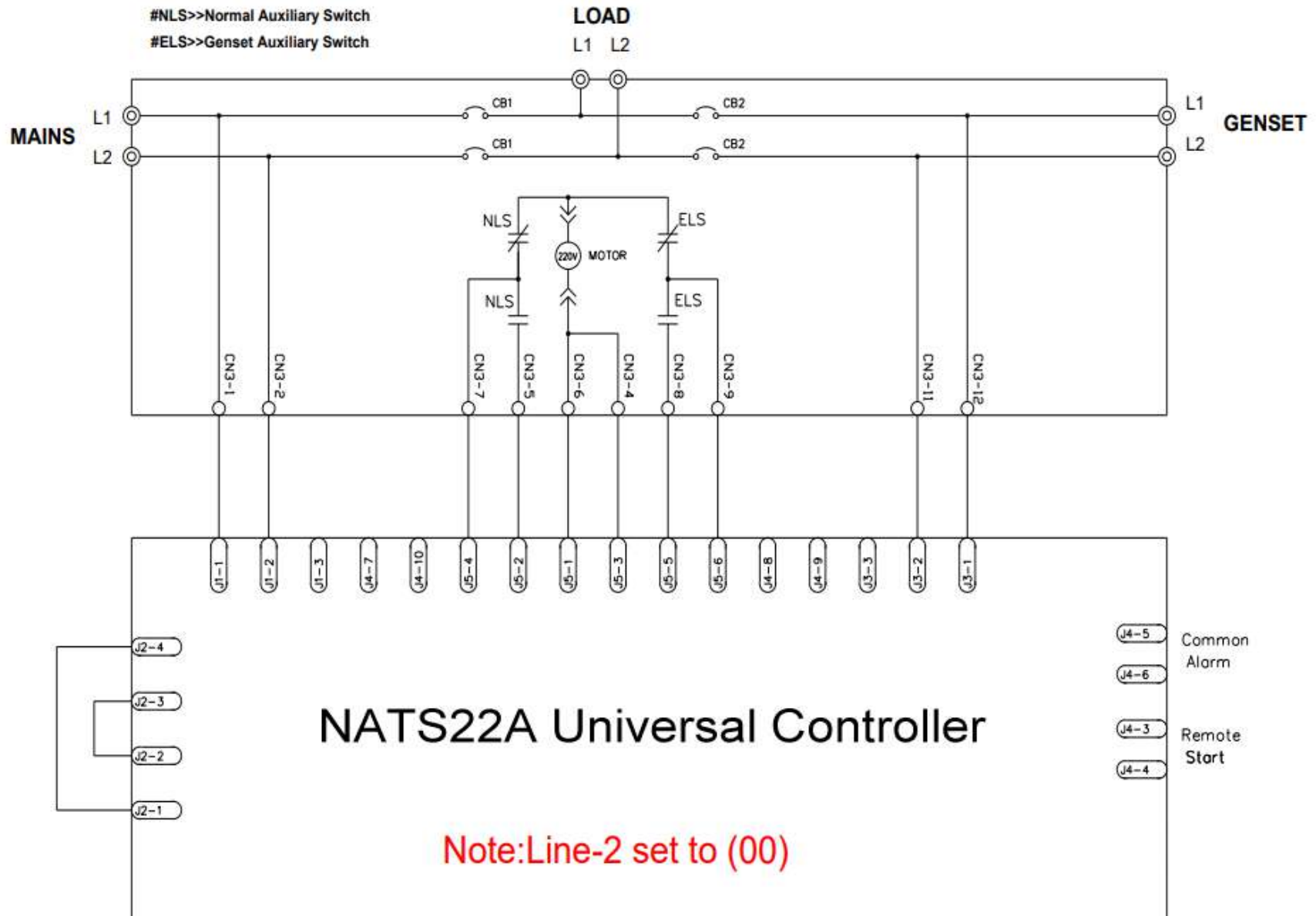


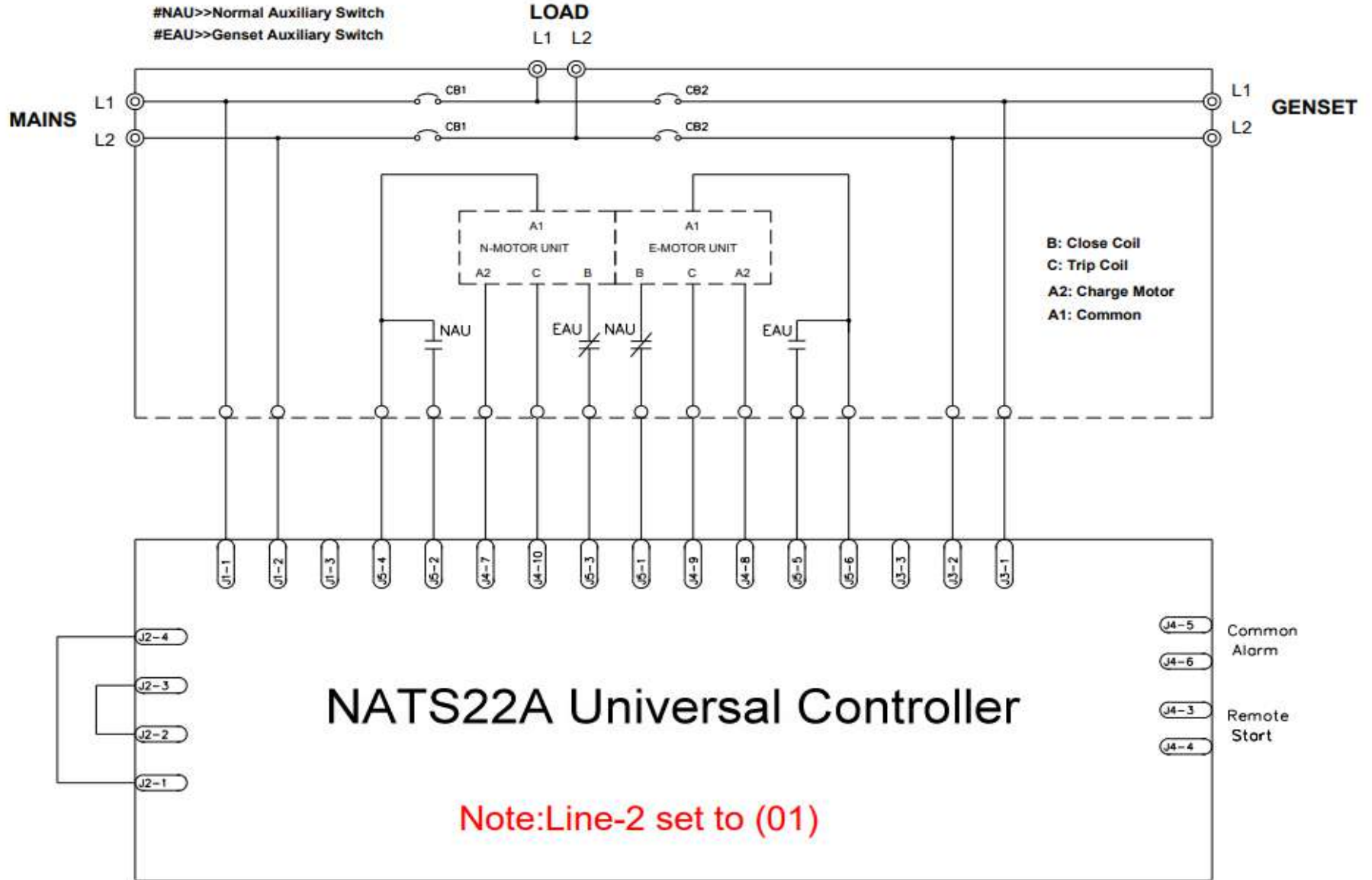
# ATS with Motor Operator

#N1



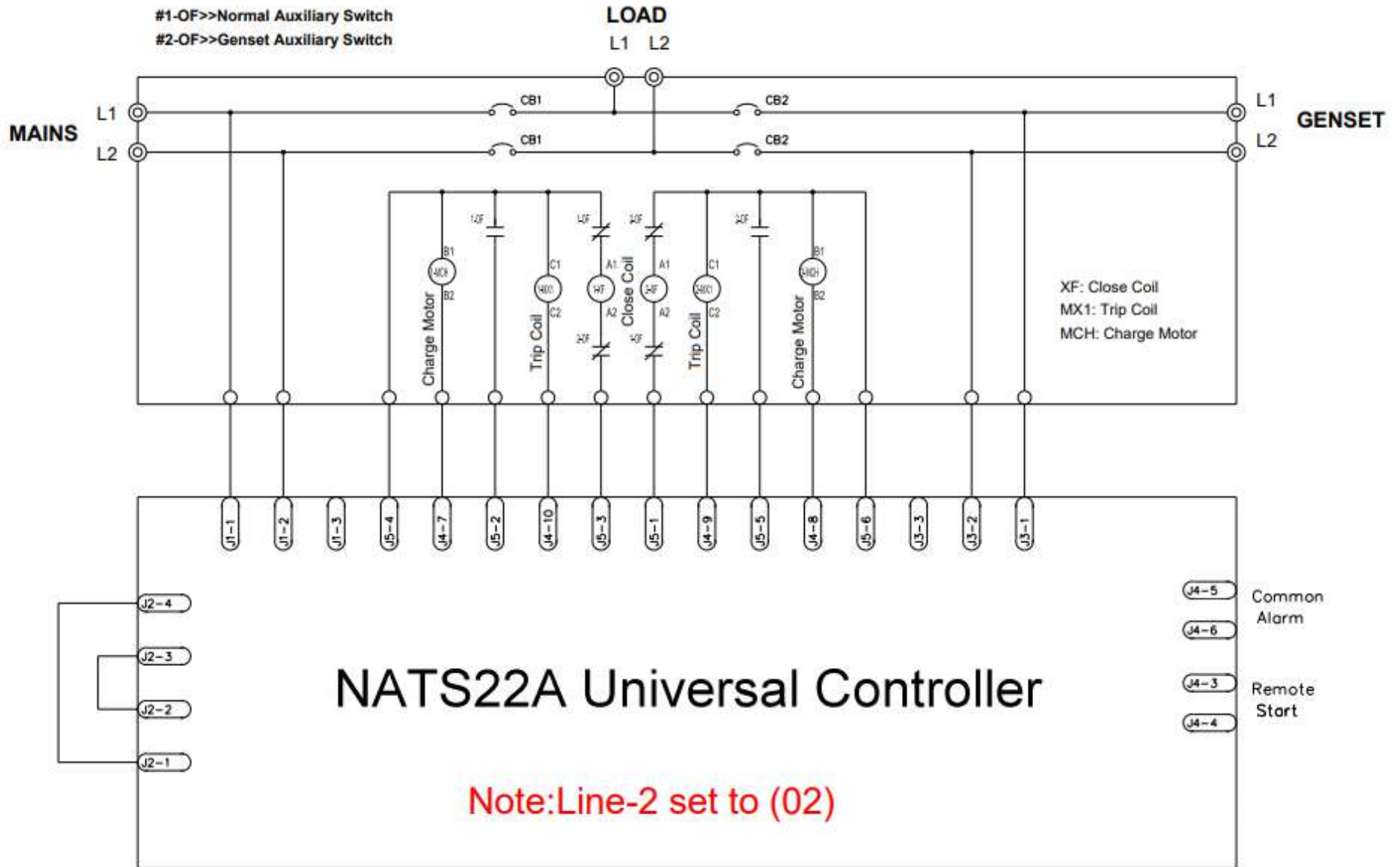
# ATS with 2 Motor Operators

#N2



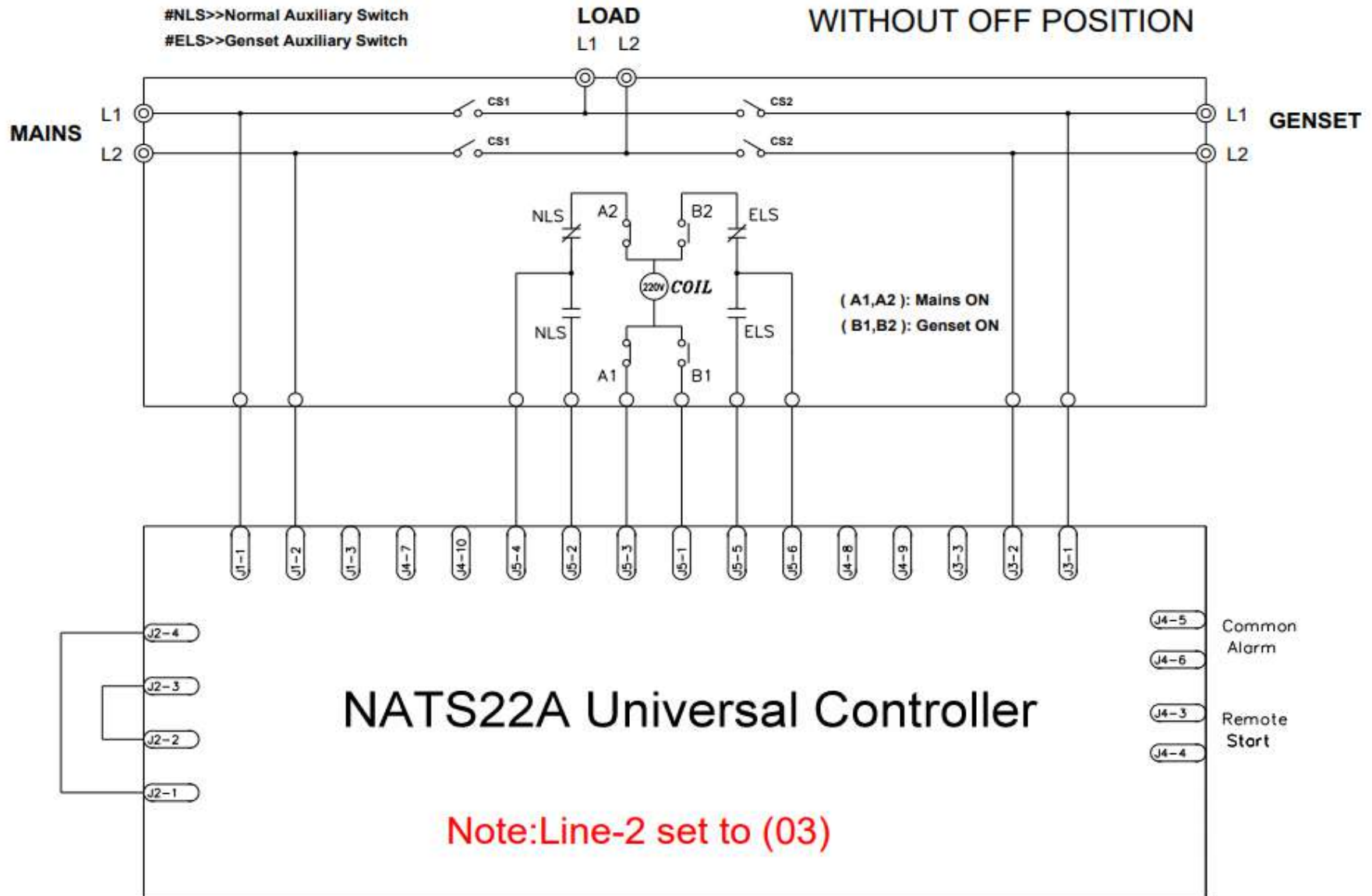
# ATS using Air Circuit Breakers

#N3

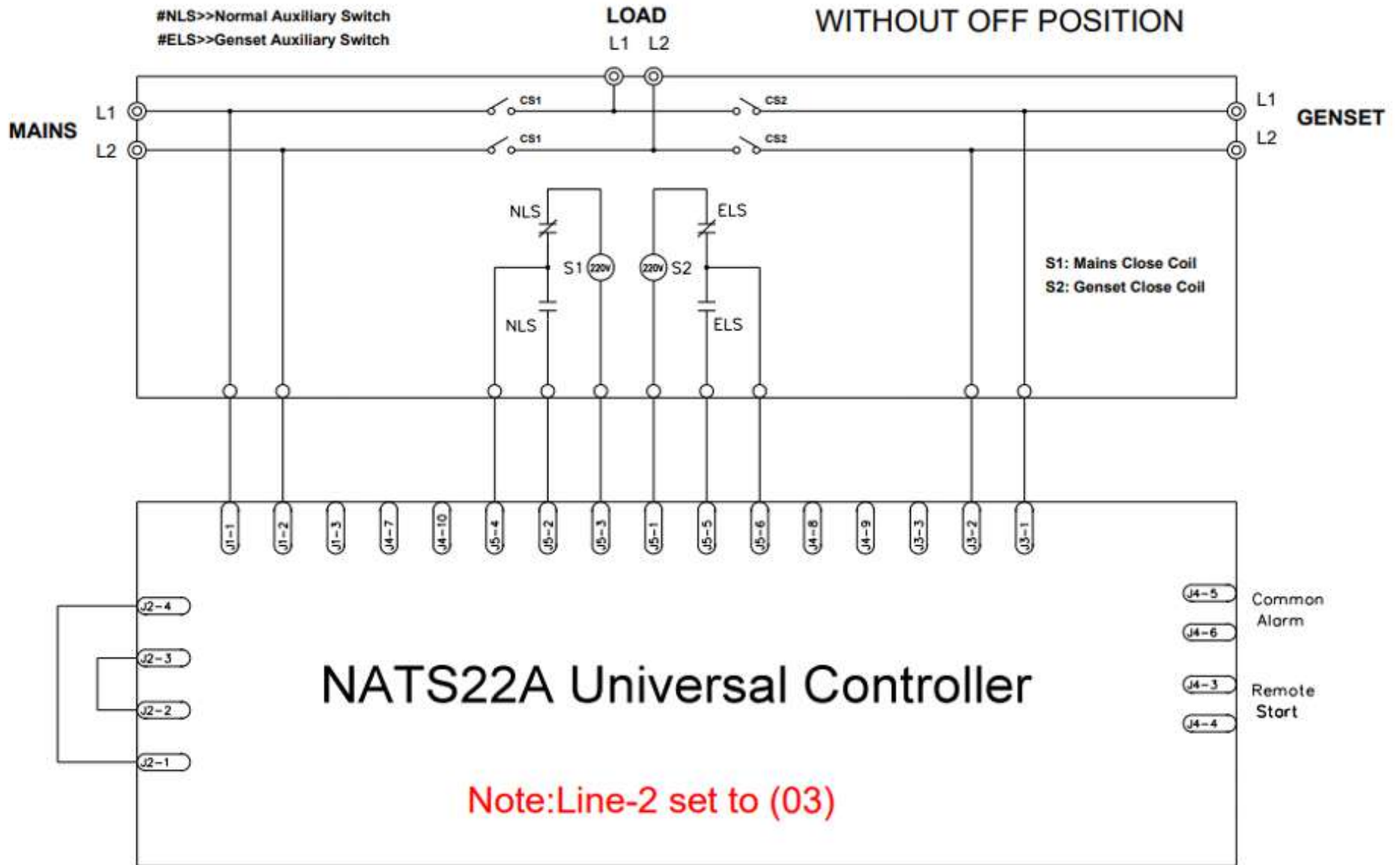


# ATS Double Throw Contactor - single coil

#N4

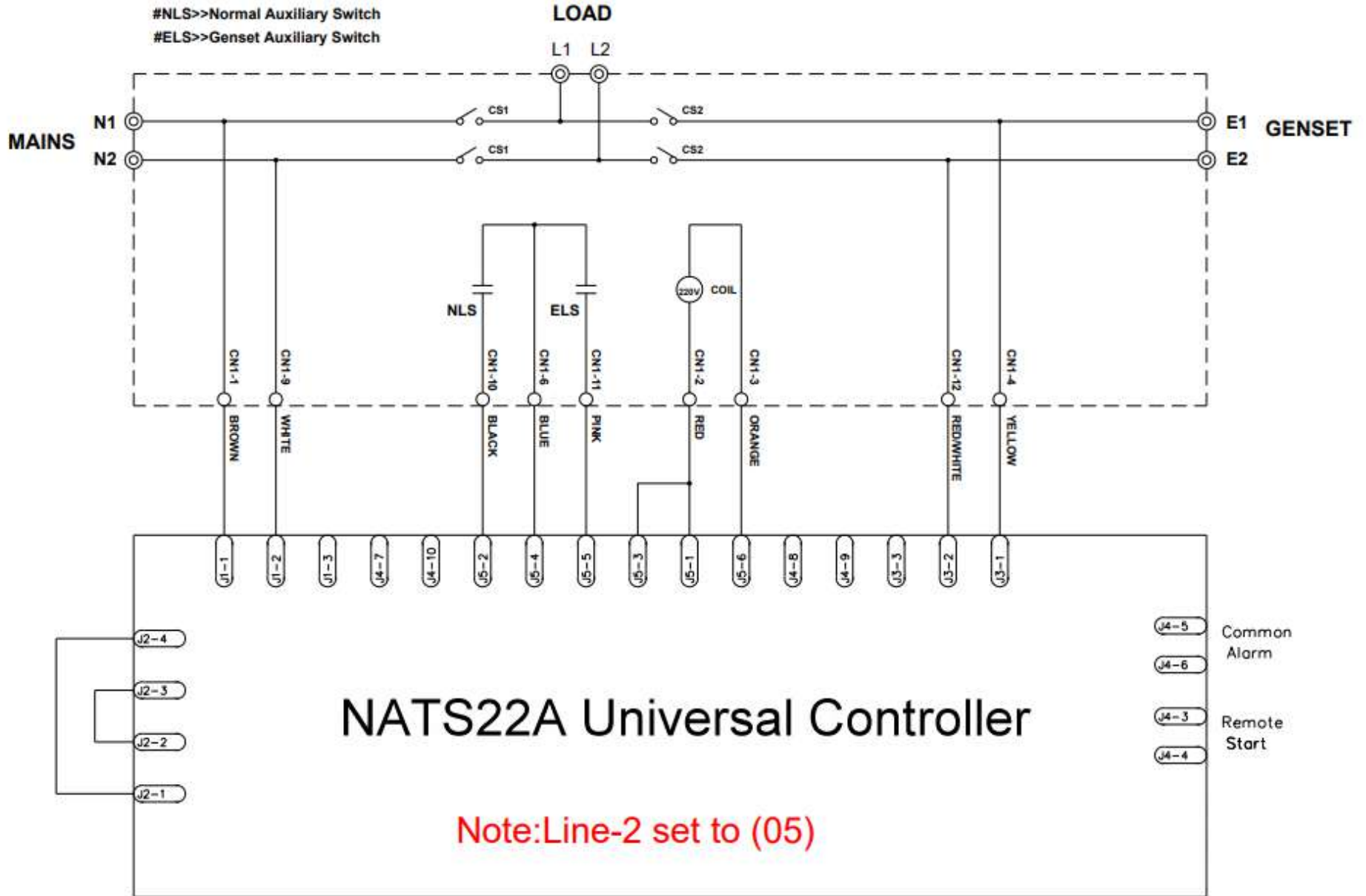


# ATS Double Throw Contactor - two coils



# ATS Single Coil Control

#N6



# ATS Magnetic Contactor - two coil control

#N7

