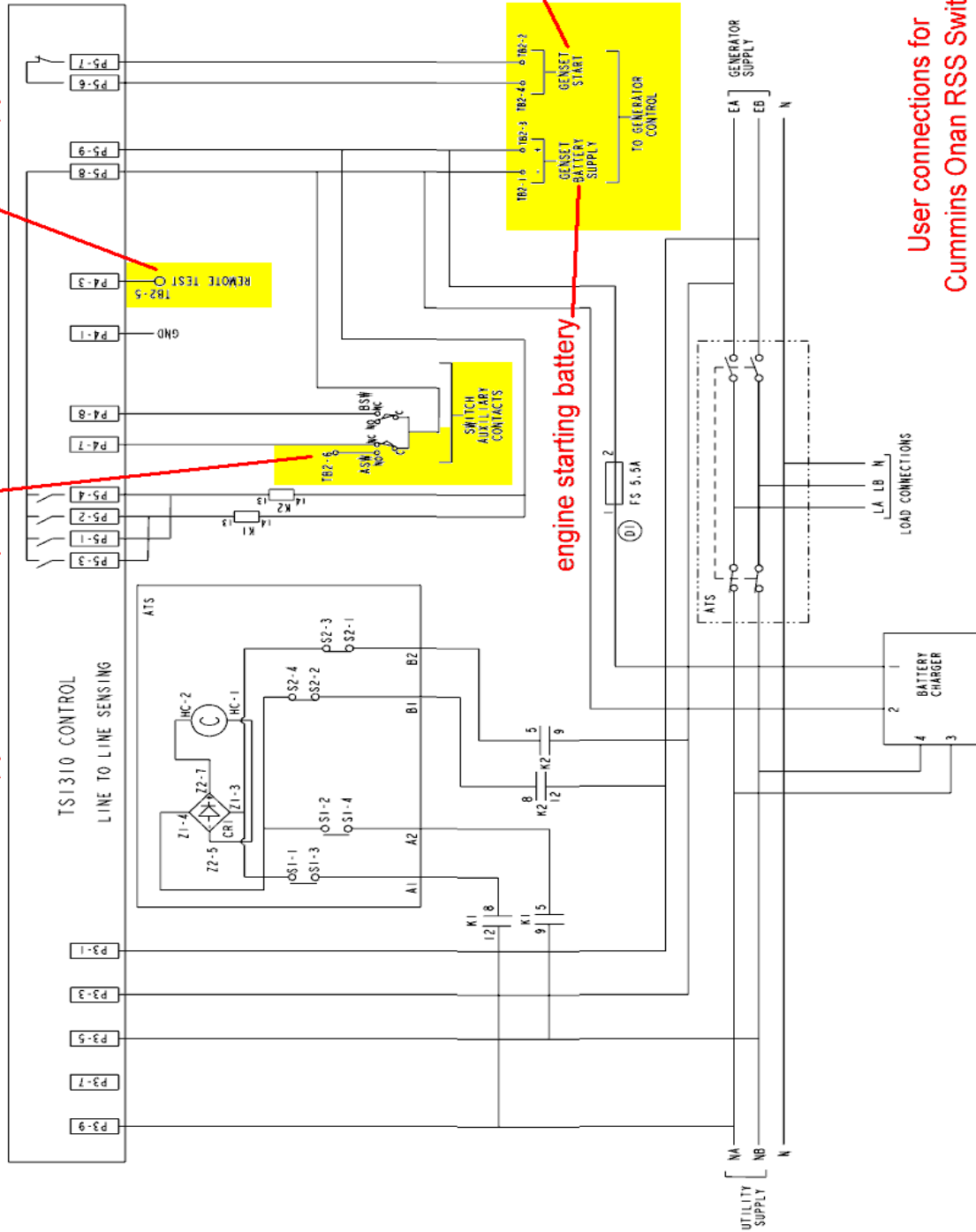


For remote test connect TB2-5 to dc ground using normally open push button (optional connection)

TB2-6 tied to dc ground when switch is in generator position (optional connection)



- K1 CLOSE NORMAL RELAY
- K2 CLOSE EMERGENCY RELAY
- ASM NORMAL POSITION AUXILIARY SWITCH
- BSM EMERGENCY POSITION AUXILIARY SWITCH
- ATS AUTOMATIC TRANSFER SWITCH
- S1 OPENS WHEN ATS IS CONNECTED TO NORMAL
- S2 OPENS WHEN ATS IS CONNECTED TO EMERGENCY
- CRI BRIDGE RECTIFIER
- C ATS OPERATOR COIL

2-wire start control contact closed when generator to run

engine starting battery

NOTES:

- 1. ALL DEVICES ARE SHOWN DE-ENERGIZED WITH TRANSFER SWITCH CLOSED TO NORMAL.

CUMMINS POWER GENERATION 1400 7TH AVENUE N.E., MINNEAPOLIS, MN 55412	
WD-TRANSFER_SWITCH	
DATE	SHEET
0630_3285	1 of 2
D	D

User connections for Cummins Onan RSS Switch